

User Manual of Bluetooth control box

Included Parts

- 1 - Bluetooth RGB LED Waterproof Controller
- 8 - 22-18 AWG Butt Crimp Connectors
- 4 - M4 Bolts
- 4 - M4 Washers
- 4 - M4 Nuts

Specifications

WK-BC controller	
Input Voltage	12~24 VDC
Output	6 Amps/ Ch
Total Output	360 Watts @12 VDC
Max Wattage	360W (12V) / 720W (24V)
Operating Temperature	-20~110°F (-30~45 °C)
Dimmable	Yes
IP Rating	Weatherproof IP68
Standards and Certifications	CE / RoHS
Warranty	2 Years



Download Instructions

1. Download application by either scanning the QR code or by searching for **LED BLE**.
2. Please check if device is powered and bluetooth is turned on.
3. DO NOT connect bluetooth controller within device's bluetooth settings.

QR Code



Application Connection and Operation

BLUETOOTH DEVICE PAIRING, GROUP MENU

DYNAMIC MODE SELECTION

CUSTOM COLOR DYNAMIC MODES

TIMER

MUSIC / MICROPHONE

HOME SCREEN

SAVED COLOR SELECTOR

SETTINGS

POWER

COLOR SELECTION

DIMMING

MUSIC

TIMER

Toggle Color CCT, Brightness

Successful Connection Device(s)

Static red

Water Spray

Speed 50

Brightness: 50

Click the button to pick color which you want and Long press to delete the color.

00:00

00:00

Timer on

Timer off

If power is removed from the control box the timer will need to be reset!

Michael Learns To Rock - Take Me To...

selecting 1 song(s)

Microphone in use.

Brightness: 50%

OK

Brightness: 50%

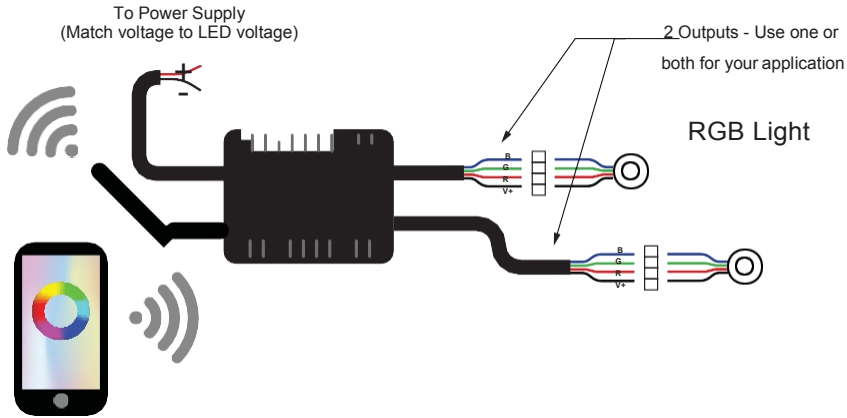
Speed 50

Brightness: 50%

00:07

03:50

Wiring Diagram



Safety

- DO NOT connect controller or LEDs directly to 120V AC power. This controller requires a 12V or 24V DC power supply.
- DO NOT exceed max load of 18Amps, overloading the controller may cause overheating, shorting, and possibly failure of controller.
- Be sure the power supply is not plugged into an outlet before connecting or disconnecting any of the systems components.
- DO NOT expose the controller or remote strip to direct or indirect moisture.
- Always observe proper polarity when connecting power and load.

Dimensional Diagram

